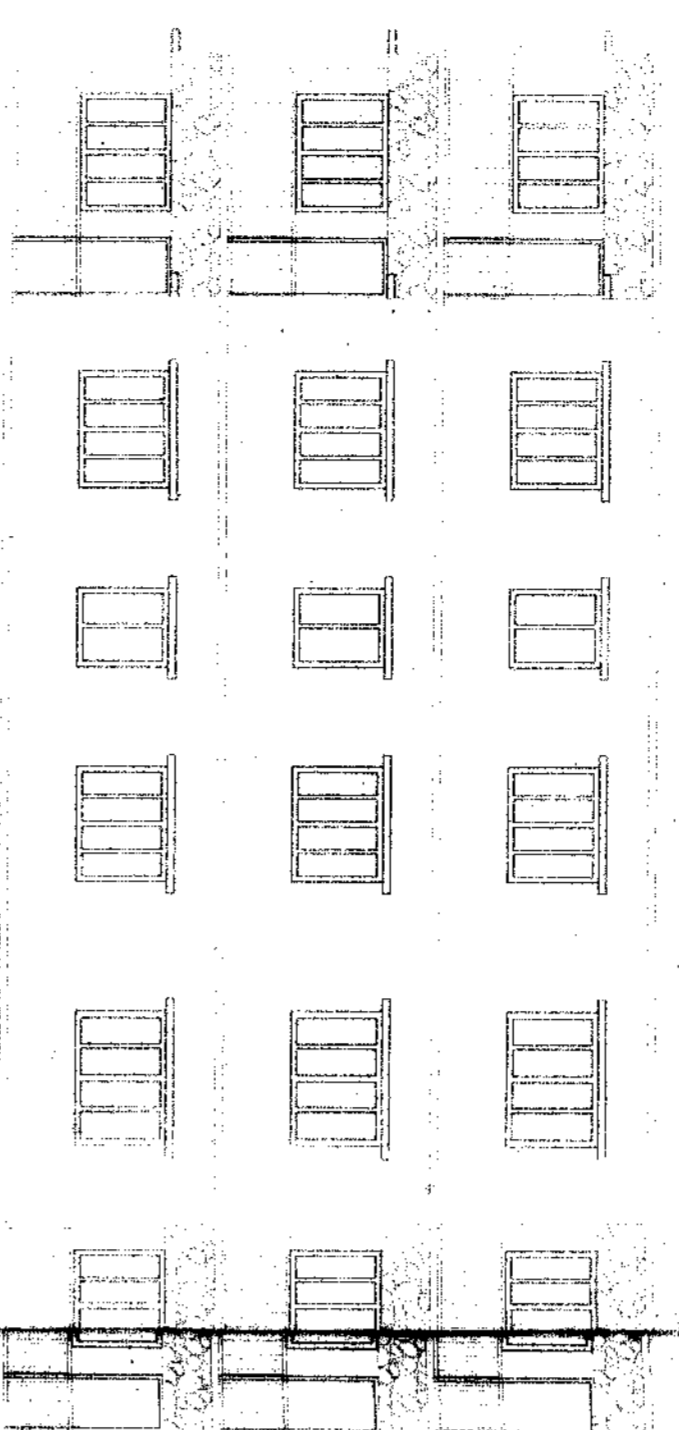
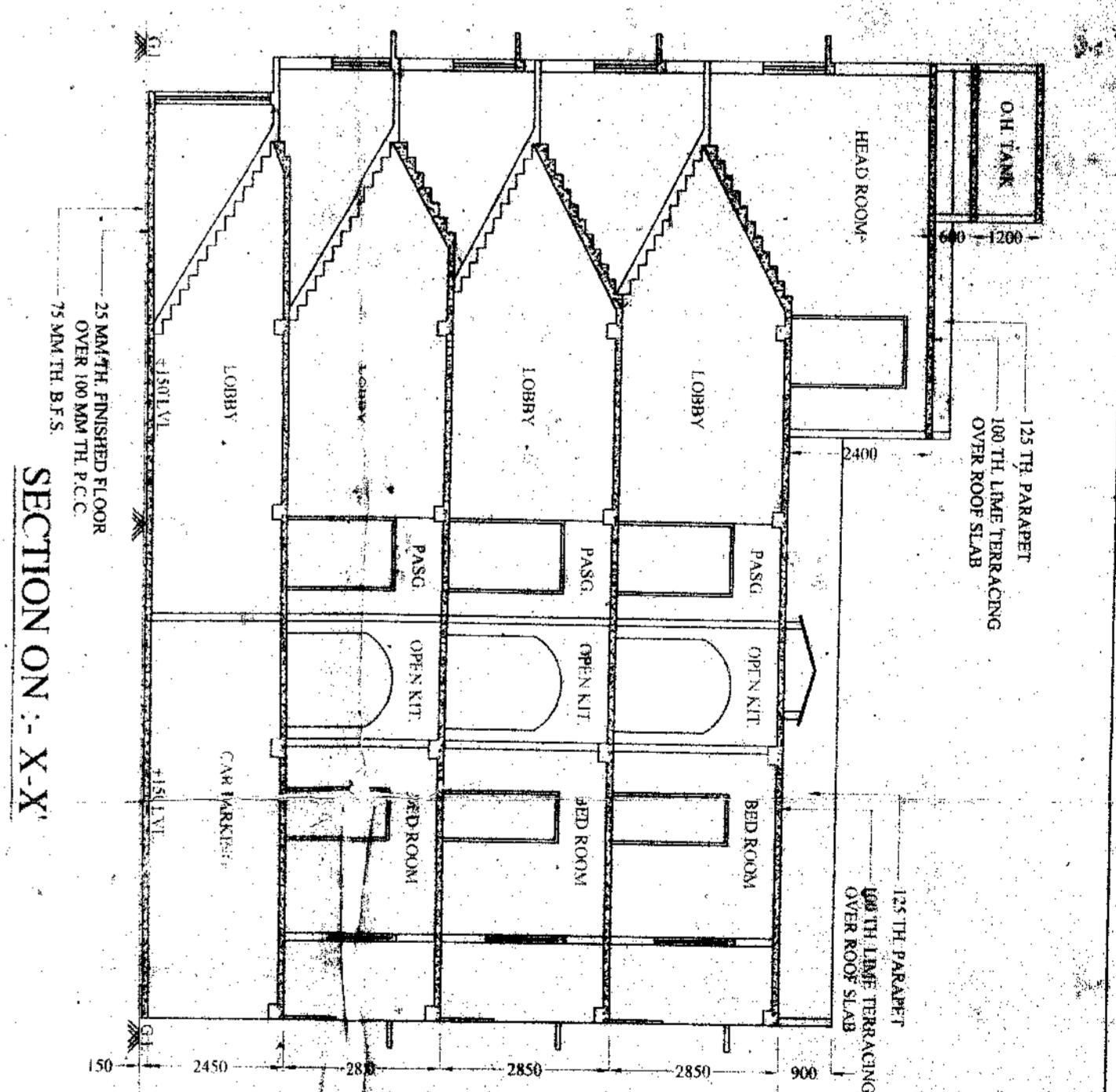
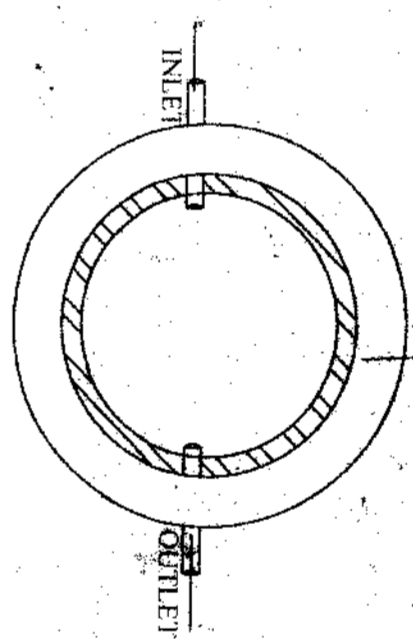
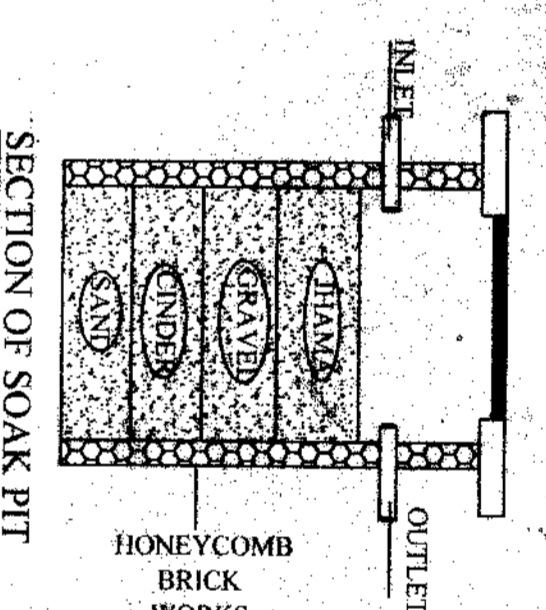
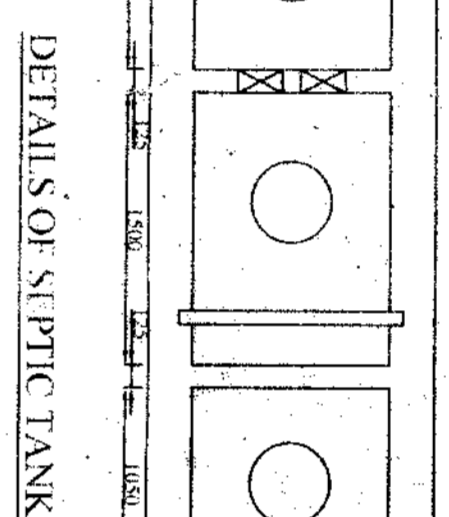
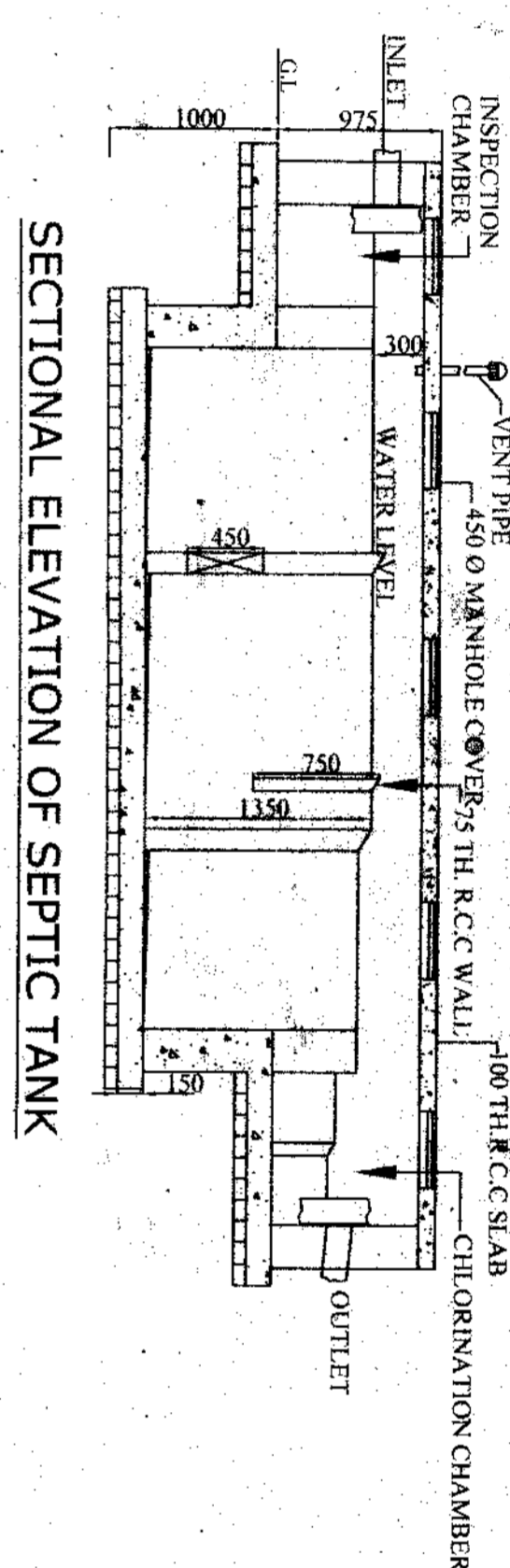
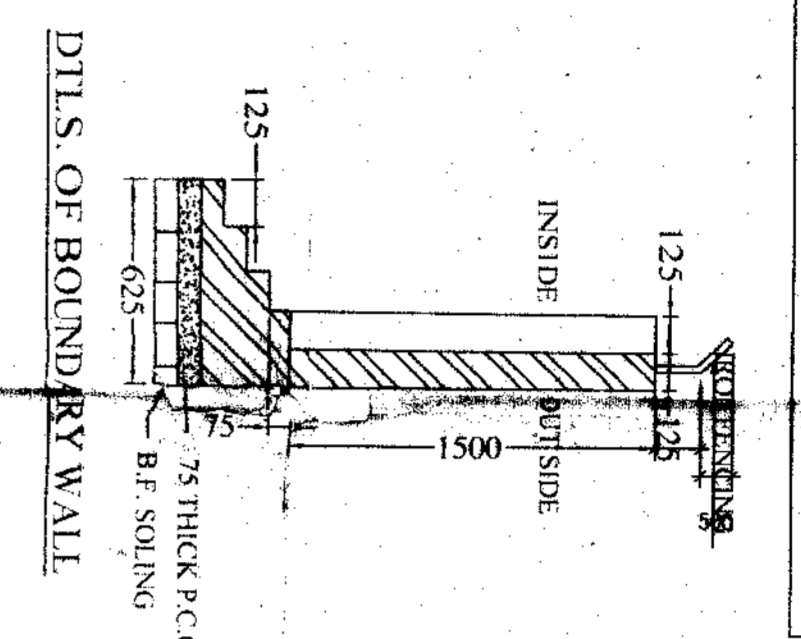
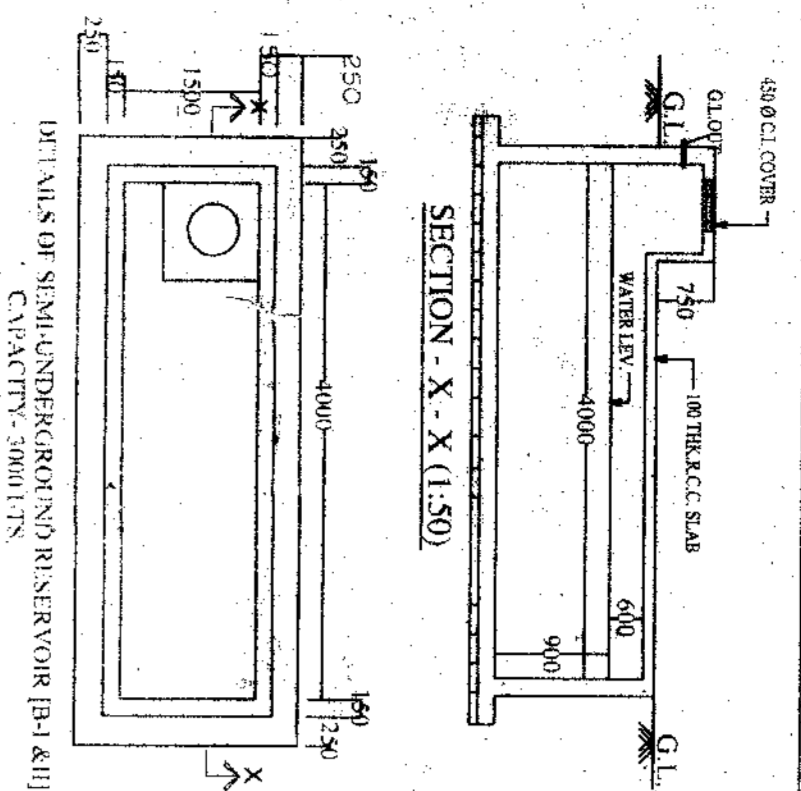
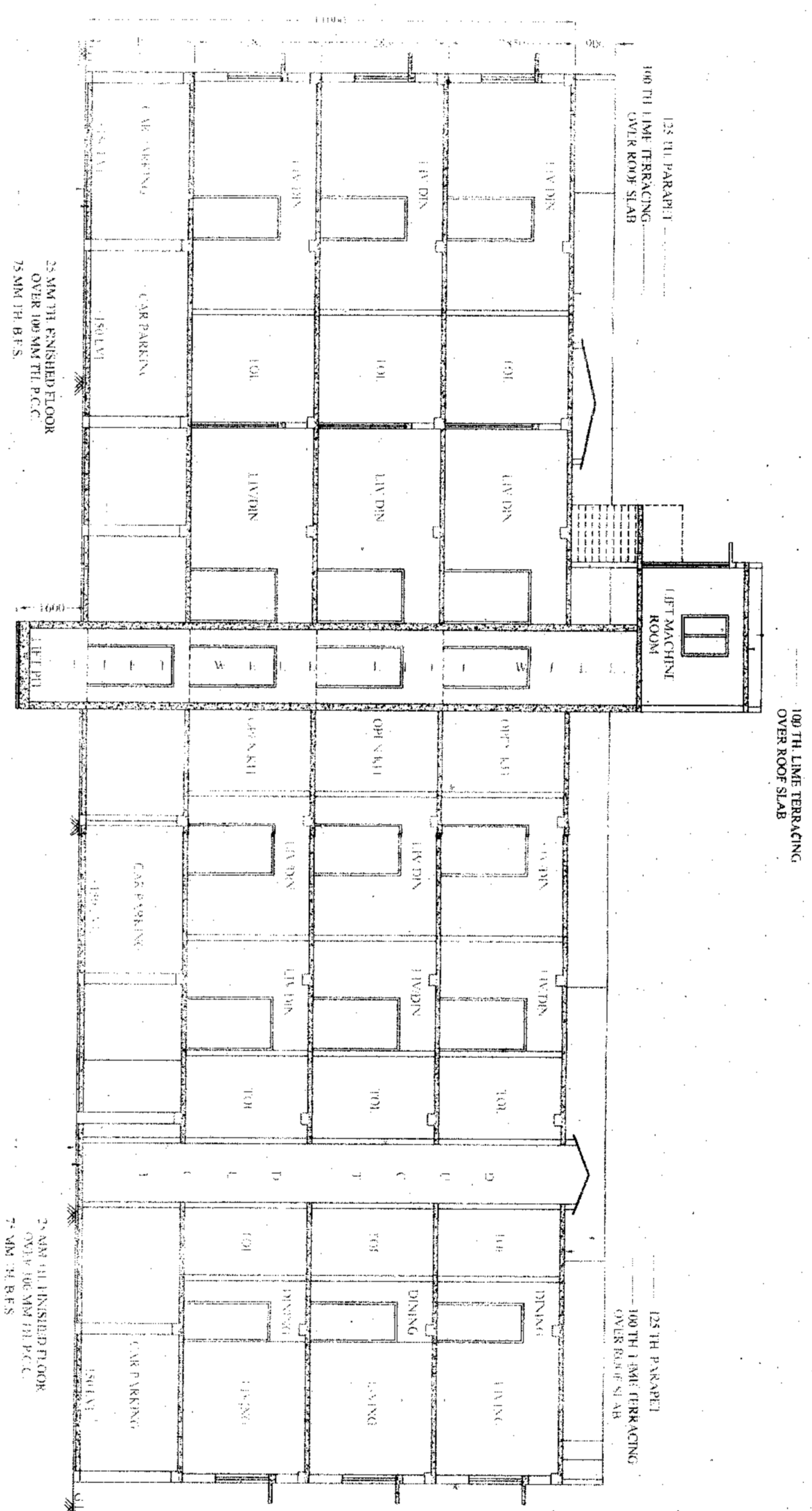


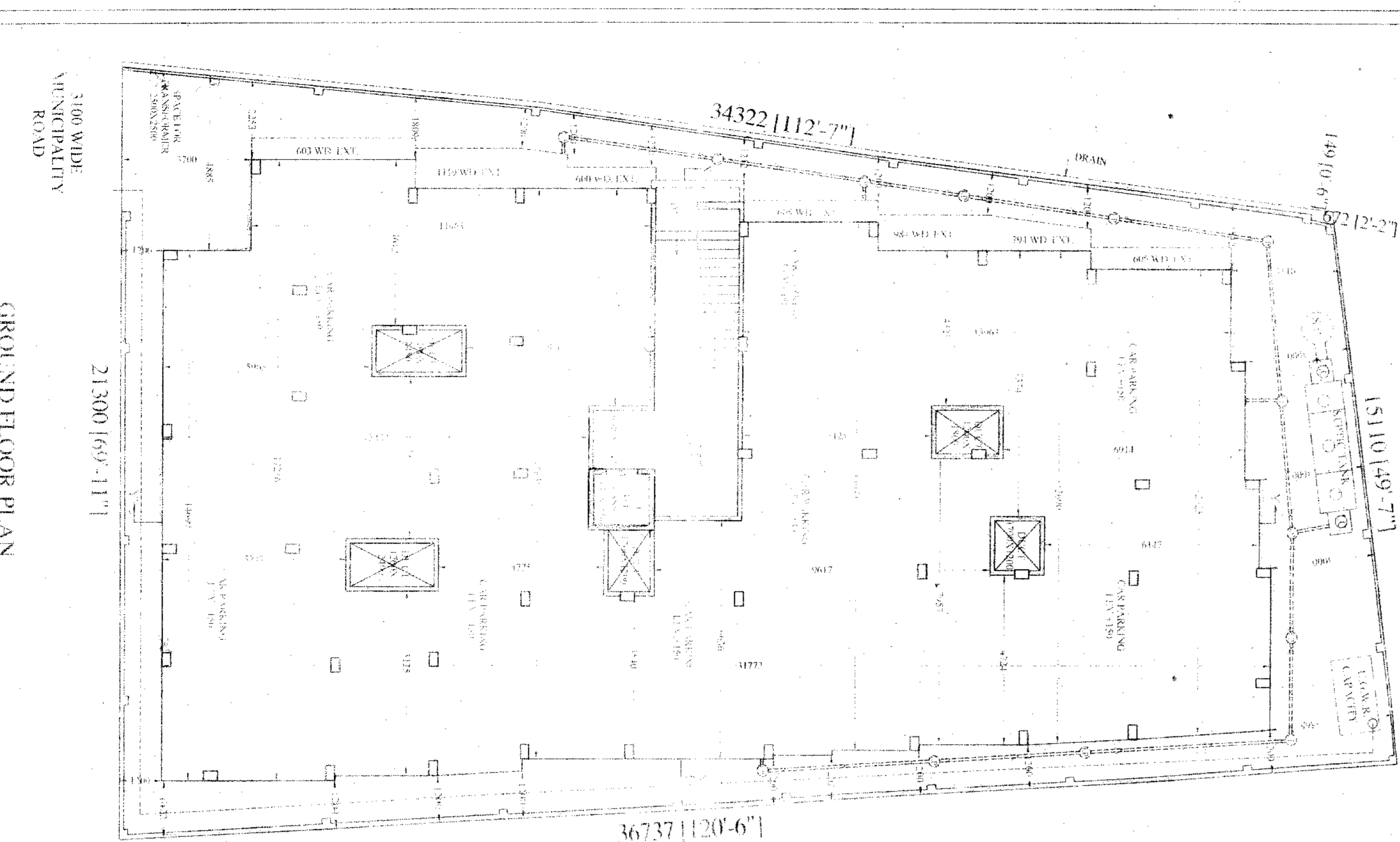
PROPOSED PLAN OF A (G+3) STORED RESIDENTIAL BUILDING OWNED BY SRI. CHHIDON KUMAR PODDER & OTHER AT MOUKA, DOHARIA, JL. NO. 45, RESU. NO. 132, R.S. KHATIM NO. 1002, R.S. BAG NO. 1009, SABEK KH. NO. 483, WARD NO. 21, HOLDING NO. 820/1, BIDHARIPALLY UNDER THE MADHYAMGRAM MUNICIPALITY, P.S. - MADHYAMGRAM, DIST. - NORTH 24 PARGANAS.



FRONT ELEVATION



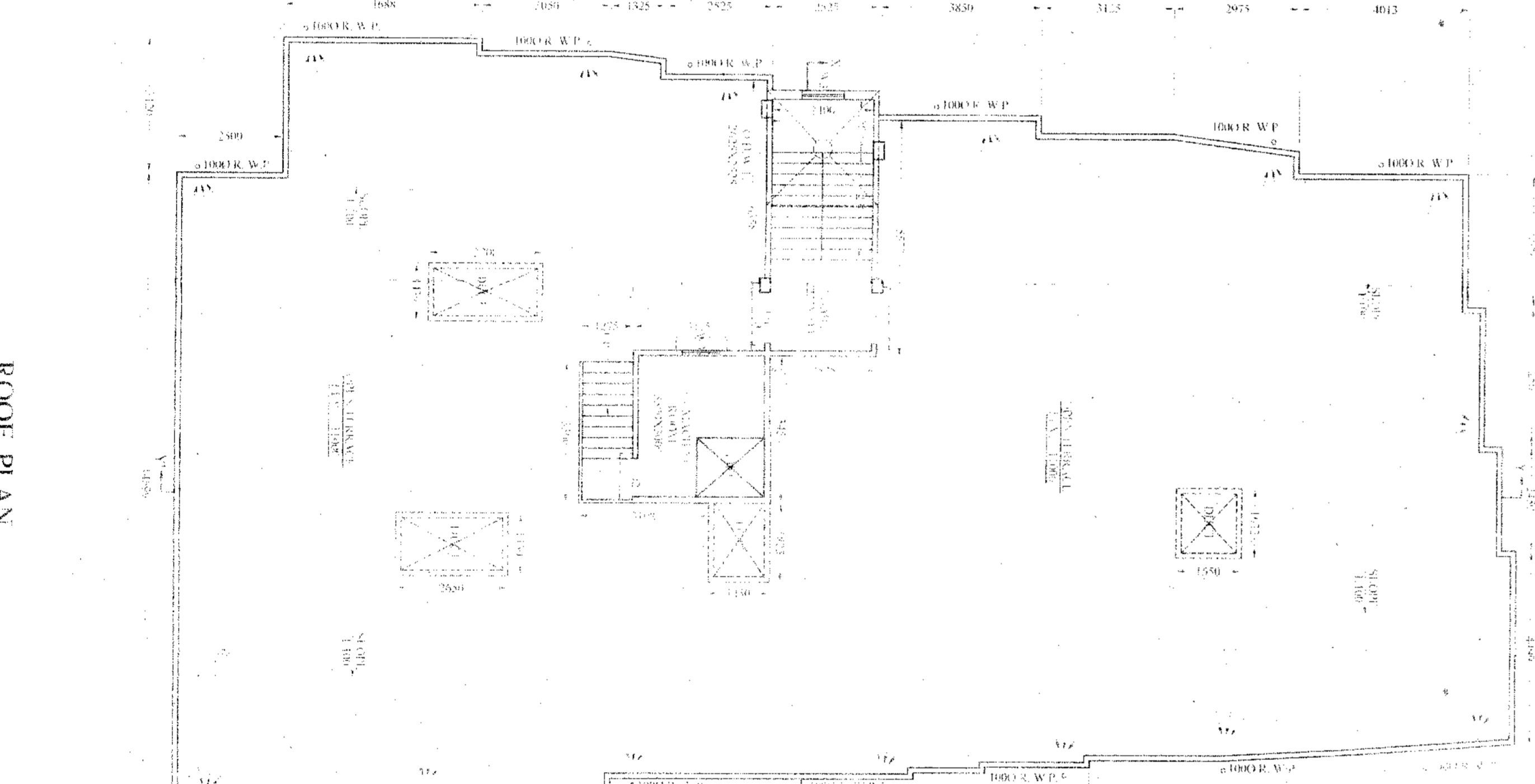
SECTION ON - Y-Y



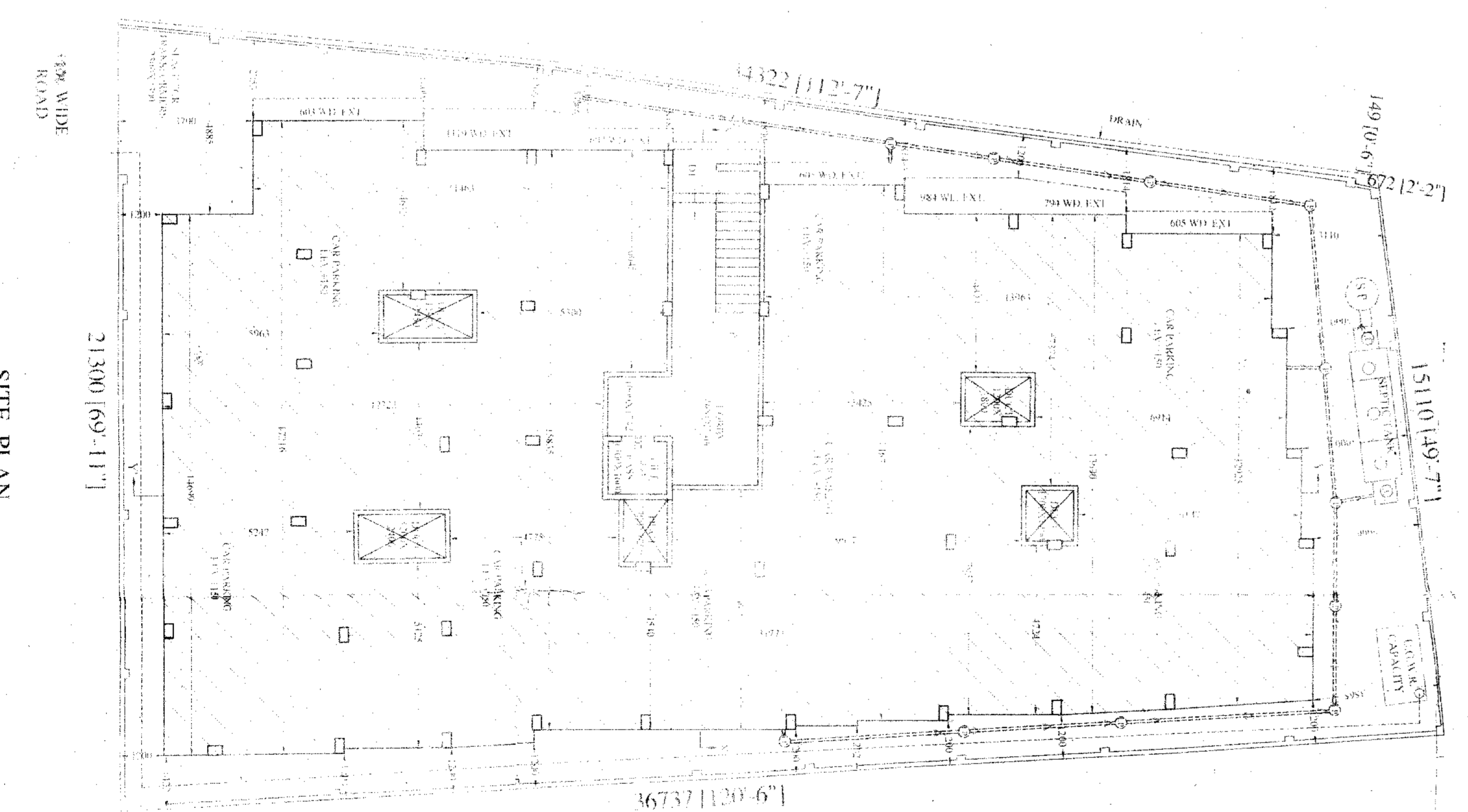
GROUND FLOOR PLAN



TYPICAL FLOOR PLAN



ROOF PLAN



SITE PLAN

FOR OFFICE USE

NO. 4030 REGISTERED DATE 30-05-2019

STAMPED

21-05-2019
21-05-2019
21-05-2019
21-05-2019



OWNERS CERTIFICATE

CERTIFIED THAT I SHALL NOT ON A LATER DATE MAKE ANY ADDITION OR ALTERATION TO THIS PLAN. I AM CERTIFIED THAT THE CONSTRUCTION OF THE BUILDING RULES FOR MADHYAMGRAM MUNICIPALITY SHALL ALSO ABIDE BY THOSE RULES DURING AND AFTER CONSTRUCTION OF THE BUILDING.

Signature of Owner
SIGNATURE

COUNCILLOR'S CERTIFICATE

THIS PLOT IS FIT FOR CONSTRUCTION OF THE COMMERCIAL CUM RESIDENTIAL BUILDING.

Signature of Councillor
SIGNATURE

ENGINEER'S CERTIFICATE

CERTIFIED THAT THE PLAN HAS BEEN DESIGNED AND DRAWN UP STRICTLY ACCORDING TO THE BUILDING RULES FOR MADHYAMGRAM MUNICIPALITY. CERTIFIED THAT THE CONSTRUCTION OF THE BUILDING SHALL ALSO ABIDE BY THOSE RULES DURING AND AFTER CONSTRUCTION OF THE BUILDING.

Signature of Engineer
SIGNATURE

DOORS AND WINDOWS SCHEDULE

NO.	REMARKS	REMARKS
W1	1500 X 1200	1200 X 2100
W2	1200 X 1200	1200 X 2100
W3	1200 X 1200	1200 X 2100
W4	1200 X 1200	1200 X 2100

AREA STATEMENT

TOTAL AREA OF LAND: 1300.186 SQ. METERS (PERMITTED)
TOTAL AREA OF LAND: 1300.186 SQ. METERS (PERMITTED)
COVERED AREA OF GROUND FLOOR: 1200.000 SQ. METERS (PERMITTED)
COVERED AREA OF FIRST FLOOR: 1200.000 SQ. METERS (PERMITTED)
COVERED AREA OF SECOND FLOOR: 1200.000 SQ. METERS (PERMITTED)
COVERED AREA OF ROOF: 1200.000 SQ. METERS (PERMITTED)
LAND AREA: 1300.186 SQ. METERS

SCALE: 1:100

EXISTING PORTION HAS SHOWN IN YELLOW COLOUR
PROPOSED PORTION HAS SHOWN IN RED COLOUR



C.A. CONSTRUCTION

SIGN OF OWNER

SIGN OF ENGINEER

Signature of Owner

Signature of Engineer